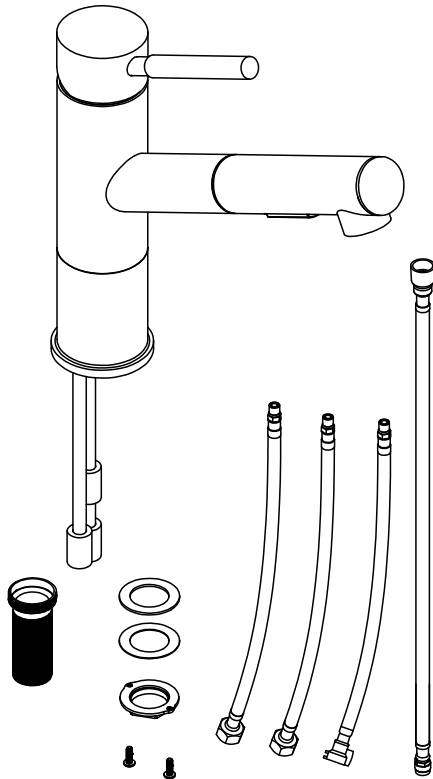


Installation Instruction

Single Handle Pull-down Kitchen Faucet

Before Your Installation

Check to make sure you have the following parts indicated below:



Tools You Will Need



Adjustable wrench



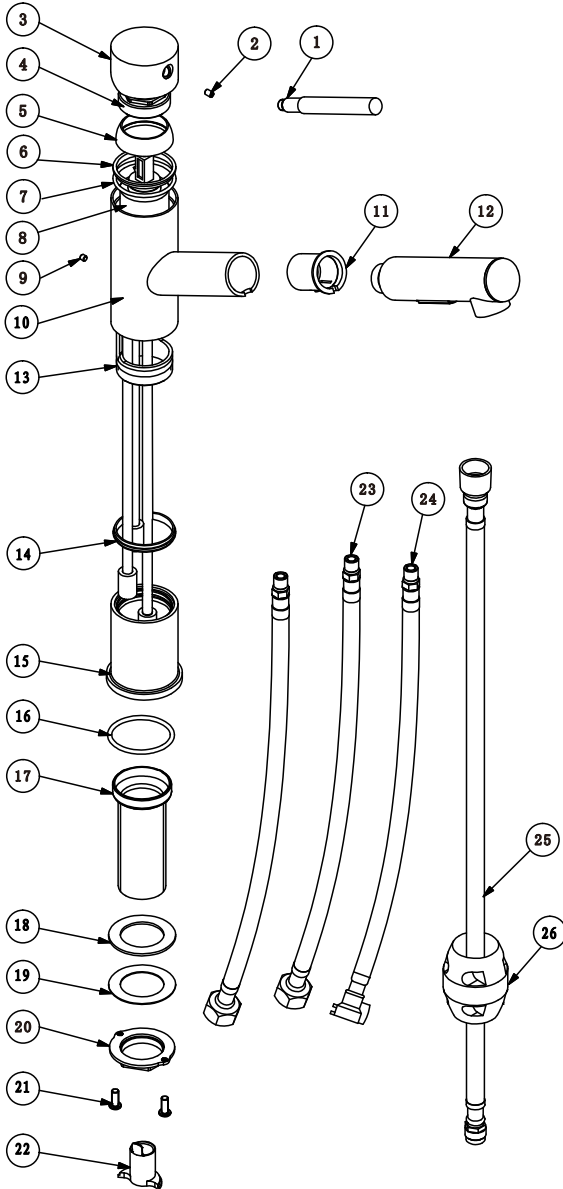
Gravity hammer



Phillips screwdriver

Replacement Parts

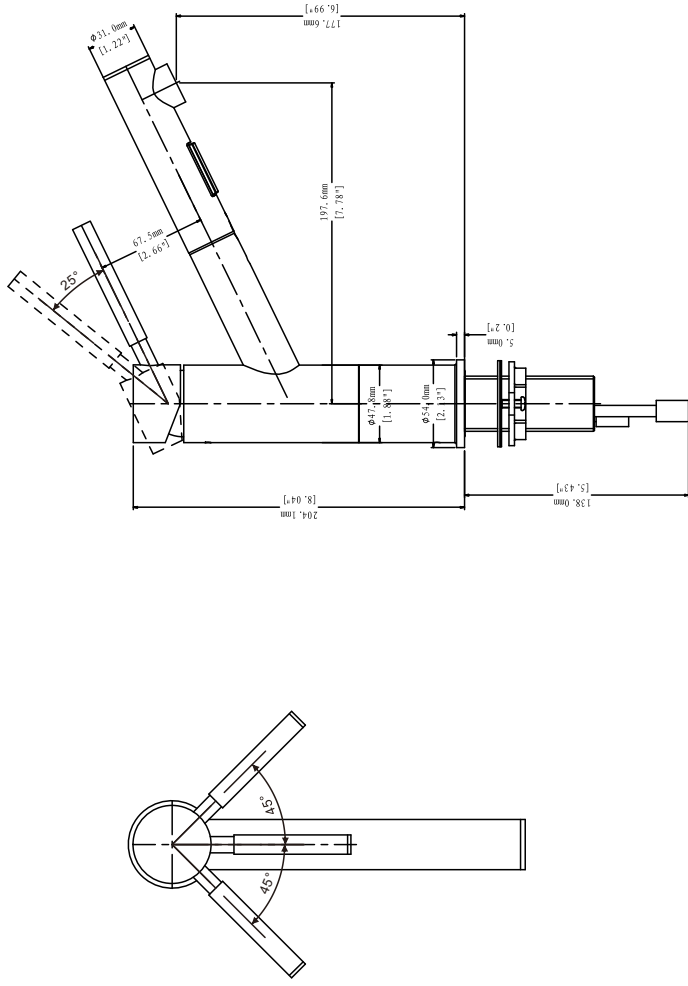
Keep this manual for ordering replacement parts.



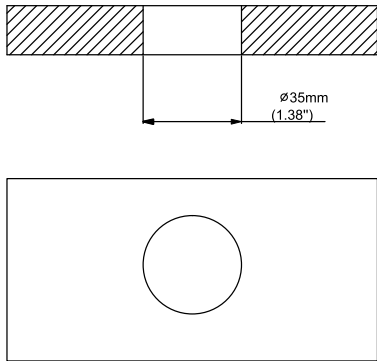
NO NAME

- | | |
|----|----------------------|
| 1 | Handle knob |
| 2 | Screw |
| 3 | Handle body |
| 4 | Lock nut |
| 5 | Cartridge holder |
| 6 | Anti-friction gasket |
| 7 | O-ring |
| 8 | Cartridge |
| 9 | Screws |
| 10 | Overall curved arm |
| 11 | Plastic cover |
| 12 | Withdrawing shower |
| 13 | Faucet body |
| 14 | Anti-friction gasket |
| 15 | Flange |
| 16 | O-ring |
| 17 | Threaded pipe |
| 18 | Rubber washer |
| 19 | Metal washer |
| 20 | Locking nut |
| 21 | Screws |
| 22 | Chafing tube |
| 23 | Hose |
| 24 | Fastening screw |
| 25 | Pull hose |
| 26 | Gravity hammer |

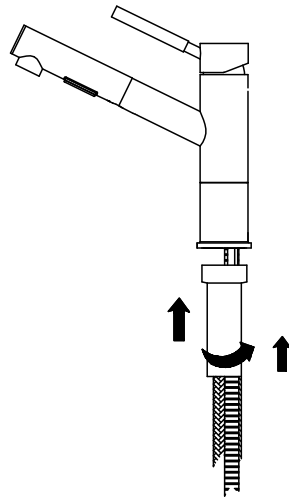
Product Dimension Drawing



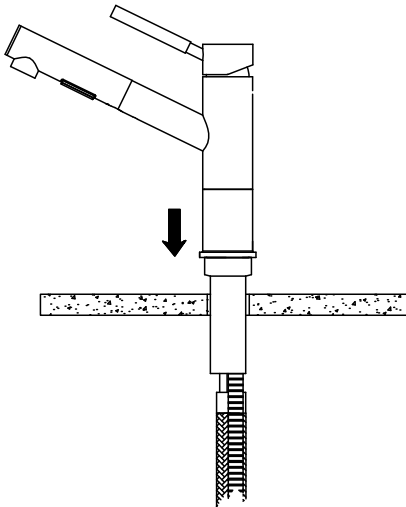
Faucet Installation Procedures



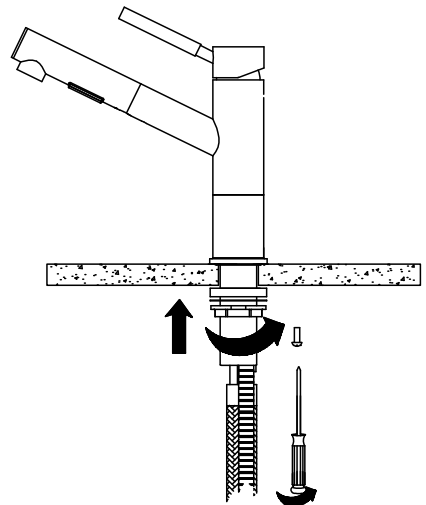
step ①



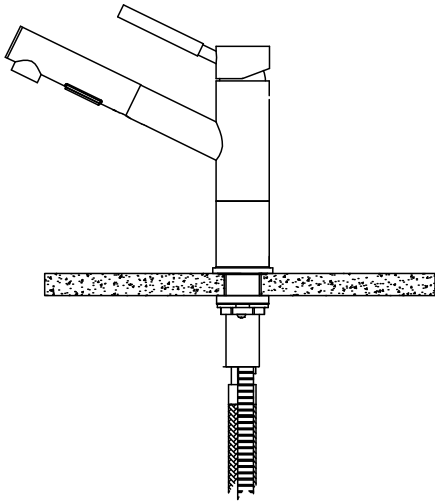
step ②



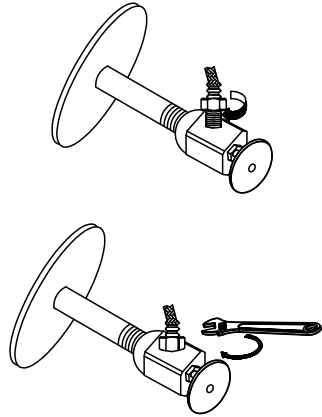
step ③



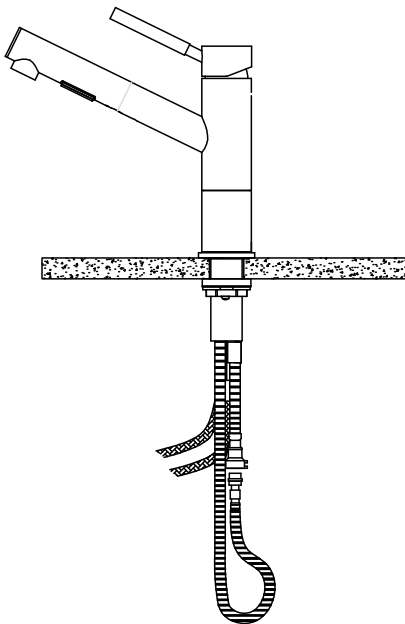
step ④



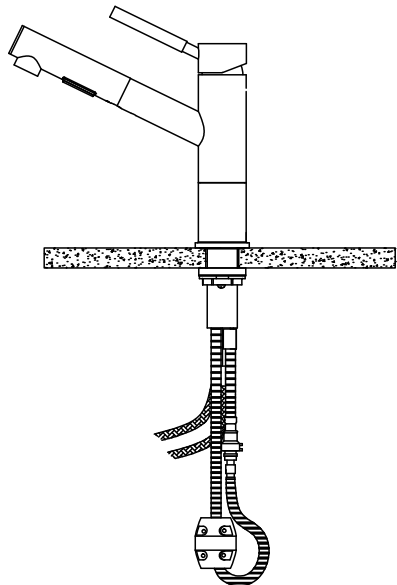
step ⑤



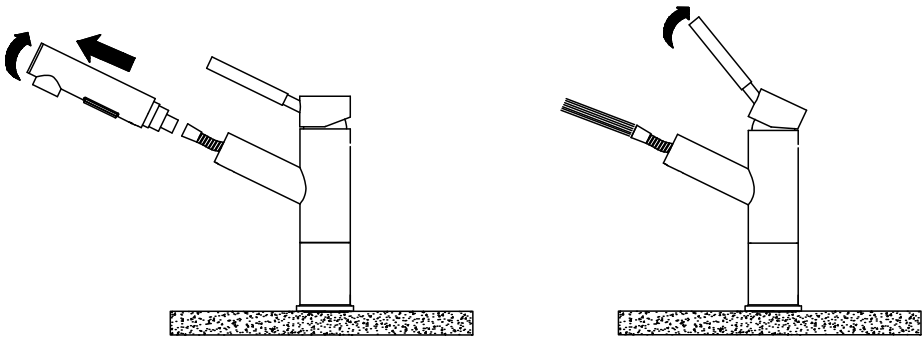
step ⑥



step ⑦



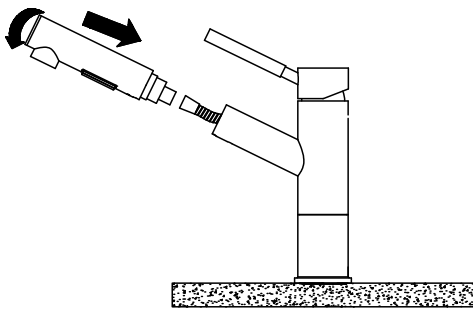
step ⑧



Notice:

Please removing all of the sand, silt and other things from the water hose before assembling, to avoid blocking the faucet and effecting water rate. Please use the special tools to disassemble it and wash with pneumatic equipment, if the faucet blocked.

step ⑨



step ⑩

